



AMKUS[®]

RESCUE SYSTEMS



PRODUCT **2019** CATALOG



AN AMERICAN SUCCESS STORY



George Weigand

The history of AMKUS is a quintessentially American entrepreneurial story. German immigrant, George Weigand, decided to pursue the American dream and open a business to import German-made hydraulic tools. His efforts were well-timed and his business became a success. When the German company had a new product they wanted to introduce to the States – a high pressure hydraulic rescue tool – they looked to George to import and market it.

George found a receptive audience for the product within the fire and rescue community. However, when relationships with the German company changed, he decided to manufacture the rescue tools himself. The financial risk was not small, but just like any visionary who's made a leap of faith, George put his future on the line and his heart into his business. It's from those beginnings that AMKUS developed and eventually grew into one of the most revered and trusted names in the rescue equipment industry.

THE AMKUS ADVANTAGE

Today AMKUS Rescue Systems continues to develop and manufacture a wide range of hydraulic and battery powered rescue tools and accessories. With an in-depth understanding of the fire rescue service, AMKUS continues to develop innovative and reliable solutions with unsurpassed support.

▲ *Innovative Solutions*

AMKUS tools include innovative features that offer users distinct benefits. The ION 2.0 line includes DEWALT® FLEXVOLT™ batteries that offer 60-volt power at affordable pricing and the batteries can be shared with other tools on the apparatus. The short length and balance on all AMKUS tools increase operator safety and allow access to areas other brands can't reach.



▲ *Unwavering Support*

Since day one AMKUS has understood that it's in a life-saving business. The tools are rugged, offering years of reliable performance. When service is required, we've extensively trained our employees, technicians, dealers and even customers to understand how the tools operate and how to efficiently repair them.

▲ *Wide Range of Options*

The AMKUS family includes a wide range of tools, struts, power units, and accessories. Many with optional features that are designed to help first responders perform more quickly and safely.

Table of Contents

ION® 2.0 Battery Powered Rescue Tools 4-7

DEWALT® Kits 8-10

Hydraulic Rescue Tools 12-16

Reels and Hose 17

Power Units 18-19

RescueStrut System 20-23



Join the conversation ...



AMKUS.com

ION^{2.0} Battery Powered Tools

CUTTER ▲ COMBI ▲ SPREADER ▲ RAM



NFPA 1936 COMPLIANT - 100% BATTERY POWERED

AMKUS is unique in that 100% of the required NFPA tests were completed using the ION tools. This means that every component of the ION tools, including the electric motor, electronic circuitry and the hydraulic pump, has been validated based on completing the full array of tests required of NFPA 1936, even the most demanding durability tests.



NARROW ESCAPE

Extractions don't always take place outside the vehicle. Sometimes you have to get inside to move and cut material and that's when a compact tool really matters. AMKUS tools are between 5 and 12 inches shorter than competitors' models so you can make rescue even in cramped quarters. In addition, these compact but powerful tools leave plenty of compartment space for other important items on the apparatus.

LIGHTED ROTATING HANDLES

Cutters and Combi's are equipped with lighted rotating handles. The handle rotation keeps the user from having to change hand positions on what is usually a standard D handle. A simple rotation puts the blades and valve into the position you want with minimal effort.



EXTENDED REACH TIPS

Increase the spread of battery powered and hydraulic tools by up to 8 inches without loss of power. With an easy built-in push button release, they can be added or removed in an instant.



FLEXVOLT™ - MAXIMUM POWER, MINIMUM PRICE

ION 2.0 tools utilize the DeWALT FLEXVOLT battery platform. The 60 volt battery operates ION 2.0 tools and will also power both 60 volt and 20 volt DeWALT tools. It is the only battery that automatically changes voltages when you change tools, so you can share batteries between ION 2.0 tools and other tools like saws and drills. The powerful brushless motor develops 2 horsepower under heavy load.

60 VOLT Maximum Power



DEWALT® POWERED

DeWALT is the most trusted name in batteries and power tools. ION tools utilize a complete DeWALT system that includes the battery, motor and intelligent electronics to deliver maximum power and life.

LIGHT THE WAY

High intensity LED lights on the ION tools increase safety and illuminate the work areas. Each handle has two lights with power switches. There are three levels of lighting: one push gives you the lowest level, two gives you medium level and three pushes gives you an incredible amount of light right where you need it. The highest setting works great for daytime shadows while the low level setting is perfect for night time operations.

RUGGED CONSTRUCTION

ION tool housings are built from solid aluminum and are ready for service in the severe duty demanded by first responders.

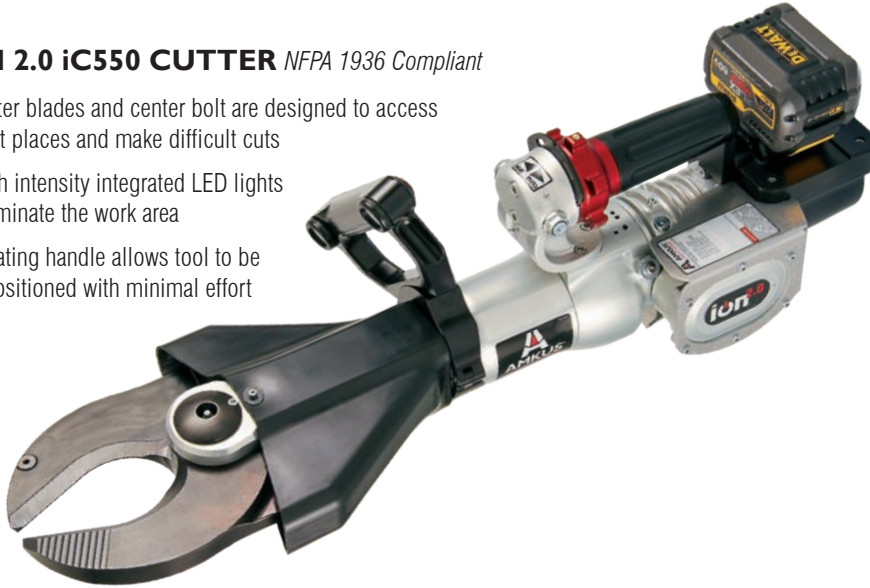


AMKUS®

RESCUE SYSTEMS

ION 2.0 iC550 CUTTER NFPA 1936 Compliant

- Cutter blades and center bolt are designed to access tight places and make difficult cuts
- High intensity integrated LED lights illuminate the work area
- Rotating handle allows tool to be repositioned with minimal effort

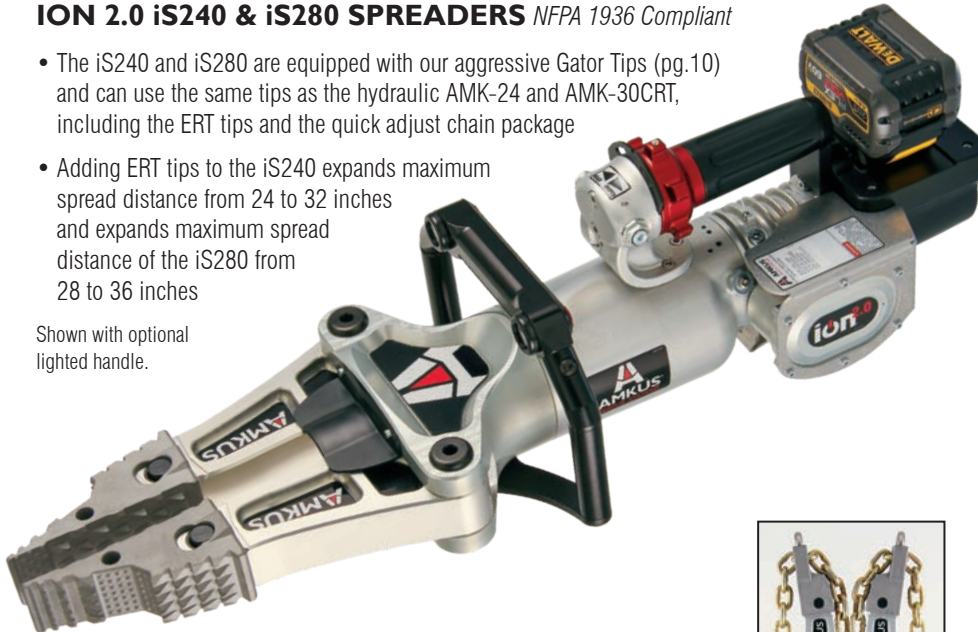


iC550	
Length	30.6 inches (777 mm)
Width	9.5 inches (241 mm)
Height	9.5 inches (241 mm)
Weight (excl. battery)	45.9 lbs (20.8 kg)
Cutter Opening	5.8 inches (147 mm)
Cutter Rating	A6/B5/C6/D7/E7
Battery	DEWALT FLEXVOLT
Battery Voltage	60V

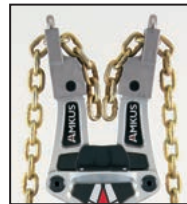
ION 2.0 iS240 & iS280 SPREADERS NFPA 1936 Compliant

- The iS240 and iS280 are equipped with our aggressive Gator Tips (pg.10) and can use the same tips as the hydraulic AMK-24 and AMK-30CRT, including the ERT tips and the quick adjust chain package
- Adding ERT tips to the iS240 expands maximum spread distance from 24 to 32 inches and expands maximum spread distance of the iS280 from 28 to 36 inches

Shown with optional lighted handle.



Quick Adjust Chain Packages Available



iS240	
Length	31.2 inches (793 mm)
Width	11.1 inches (282 mm)
Height	9.6 inches (244 mm)
Weight (excl. battery)	48.7 lbs (22.1 kg)
Weight (excl. battery) with Optional Lighted Handle	49.1 lbs (22.3 kg)
Max Spreading Distance	24.5 inches (622 mm)
Max Spreading Distance (with optional ERT tips)	32 inches (813 mm)
Battery	DEWALT FLEXVOLT
Battery Voltage	60V
Highest Spreading Force (HSF)	13,620 lbs (60.6 kN)
Lowest Spreading Force (LSF)	7,410 lbs (32.9 kN)
Max Spreading Force	39,120 lbs (174.0 kN)
Highest Pulling Force (HPF)	10,350 lbs (46.0 kN)
Lowest Pulling Force (LPF)	5,850 lbs (26.0 kN)

iS280	
Length	32.9 inches (836 mm)
Width	11.1 inches (282 mm)
Height	9.6 inches (244 mm)
Weight (excl. battery)	50.5 lbs (22.9 kg)
Weight (excl. battery) with Optional Lighted Handle	50.7 lbs (23.0 kg)
Max Spreading Distance	28 inches (711 mm)
Max Spreading Distance (with optional ERT tips)	36 inches (914 mm)
Battery	DEWALT FLEXVOLT
Battery Voltage	60V
Highest Spreading Force (HSF)	12,720 lbs (56.6 kN)
Lowest Spreading Force (LSF)	6,610 lbs (29.4 kN)
Max Spreading Force	31,940 lbs (142.1 kN)
Highest Pulling Force (HPF)	9,590 lbs (42.7 kN)
Lowest Pulling Force (LPF)	4,960 lbs (22.1 kN)



Extended Reach Tips (ERT) KS0029-KIT (set of tips)

- Accessory for spreader models iS240, AMK-24, iS280 and AMK-30CRT and upgrade available for 30CX
- Increases the spread up to 8 inches and the unique construction eliminates loss of power
- With a built-in push button release, tips are easy to install or remove - even with gloved hands

Cutter or Combi Lighted Handle KEH015-KIT

- Quickly and easily upgrades existing 360° swiveling handles on AMK-21A and AMK-22 hydraulic cutters.
- Lighted 360° swiveling handles are standard on all ION battery powered cutters and combi tools.

It is the only battery that automatically changes voltages when you change tools, so you can share batteries between ION 2.0 tools and other tools like saws and drills.

**60 VOLT
Maximum
Power**

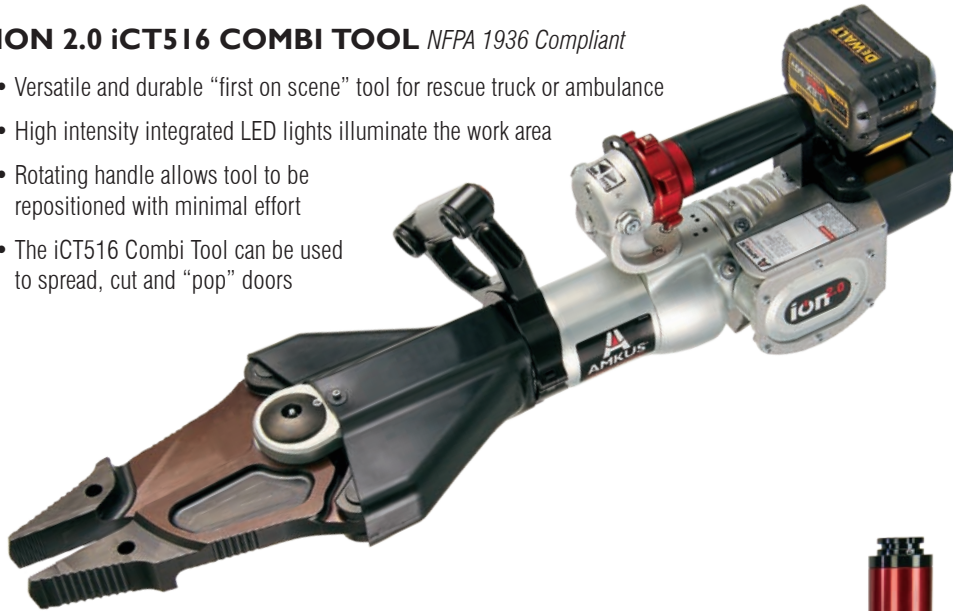
ion^{2.0}



NFPA 1936
COMPLIANT

ION 2.0 iCT516 COMBI TOOL NFPA 1936 Compliant

- Versatile and durable “first on scene” tool for rescue truck or ambulance
- High intensity integrated LED lights illuminate the work area
- Rotating handle allows tool to be repositioned with minimal effort
- The iCT516 Combi Tool can be used to spread, cut and “pop” doors



iCT516	
Length	33.9 inches (861 mm)
Width	9.5 inches (241 mm)
Height	9.5 inches (241 mm)
Weight (excl. battery)	48.7 lbs (22.1 kg)
Max Spreading Distance	15.5 inches (394 mm)
Highest Spreading Force (HSF)	8,920 lbs (39.7 kN)
Lowest Spreading Force (LSF)	6,650 lbs (29.6 kN)
Max Spreading Force	153,870 lbs (684.0 kN)
Cutter Opening	7.3 inches (185 mm)
Battery	DEWALT FLEXVOLT
Cutter Rating	A6/B7/C6/D7/E7
Battery Voltage	60V

ION 2.0 iTR230 RAM NFPA 1936 Compliant

- The iTR230 has the highest pushing force available in a battery powered ram
- Unique rotating handle allows extra maneuverability in tight spaces
- Extensions available for a maximum extended length of 50 inches



iTR230	
Length	17.8 inches (452 mm)
Width	7.3 inches (185 mm)
Height	11.4 inches (290 mm)
Weight (excl. battery)	37.5 lbs (17.0 kg)
Length Retracted	11.4 inches (290 mm)
Length Extended	22.6 inches (574 mm)
Stroke: Piston 1	6.3 inches (160 mm)
Stroke: Piston 2	4.9 inches (124 mm)
Stroke: Overall	11.2 inches (284 mm)
Extensions Lengths Available	10, 18 and 27 inch (254, 457 and 686 mm)
Max Extended Length with Extensions	49.6 inches (1260 mm)
Highest Spreading Force (HSF) Piston 1	48,360 lbs (215.1 kN)
Lowest Spreading Force (LSF) Piston 2	17,170 lbs (76.4 kN)
Battery	DEWALT FLEXVOLT
Battery Voltage	60V

RAM EXTENSIONS

Three quick connect ram extension options allow rescue teams to reach farther up to 50 inches



- Two super-bright battery powered LED lights with three brightness settings
- Made from one-piece solid billet aluminum and hardcoat anodized

**Spreader Lighted Handle
KEH016-KIT**

- Lighted handles for all ION battery powered spreaders (shown here) are available as an option or upgrade.
- Lighted handles can be quickly and easily upgraded on AMK-30CX and AMK-30CRT hydraulic spreaders.



- Two super-bright battery powered LED lights with three brightness settings
- Made from solid billet aluminum and hardcoat anodized

SHARE THE POWER

AMKUS® FLEXVOLT™ FIRE RESCUE KITS



Standardize on AMKUS ION 2.0 rescue tools and you can share their powerful FLEXVOLT battery with lots of other DeWALT tools. The FLEXVOLT battery that operates ION 2.0 tools will also power both 60 volt and 20 volt DeWALT tools. It is the only battery that automatically changes voltages when you change tools. AMKUS has created kits using DeWALT tools that are perfect solutions for fire rescue applications. AMKUS is an authorized DeWALT reseller so you can be sure you'll receive the right products and accessories and the support you need.



Windshield Removal Kit

Designed to minimize dust during cutting, the windshield cutter is a quick and easy way to remove laminated glass from vehicles. Package includes a 15-inch FuBar utility bar for creating purchase points and suction cups with handles for lifting the glass. #WNDREM-KIT includes:

- Windshield Cutter
- 1 - FuBar Tool
- 2 - Windshield Suction Cups
- 1 - 6 AH Battery
- 1 - Charger
- 1 - Storage Bag





60V Reciprocating Saw Kit

When paired with the included reciprocating saw blades, this tool makes quick work of structural steel as well as sheet metal and perfectly complements your AMKUS rescue tools. The saw's keyless lever-action blade clamp allows for quick and easy blade changes while its LED light helps to illuminate your work area. **#RECSAW-KIT includes:**

- 60V Reciprocating Saw
- 1 - Battery DCB606
- 10 - 6" Carbide-tipped Extrication Blades
- 1 - Charger
- 10 - 9" Carbide-tipped Extrication Blades
- 1 - Storage Bag



Optional 9 Inch Paragon Diamond Blade

The BLADE9RESCUE is a high-quality, multipurpose, vacuum-brazed diamond wheel with a solid-steel core with a thickness of 0.125". The diamond blade will last up to 150 times longer than a standard abrasive wheel. **#BLADE9RESCUE**



9 Inch Cut Off Saw Kit

FLEXVOLT powered cut-off saw makes cuts up to 3-1/4 inch deep. Make fast and efficient single pass cuts and scores in concrete, steel, and rebar. The saw features a front handle that can be held in three positions, allowing the saw to be used to cut in both horizontal and vertical positions. **#CUTSAW-KIT includes:**



- 9 Inch Cut-Off Saw
- 1 - Diamond Wheel
- 1 - Cut-Off Wheel
- 1 - Battery DCB609
- 1 - Charger

Scene Lighting Kit

Compact design takes up minimal compartment space and can be deployed at a scene in seconds. Integrated carry handle provides easy portability to the scene. Light head can be rotated and telescopes to 7 feet to reduce shadows and glare. Variable brightness settings up to 3000 lumens. Light will operate for over 11 hours on low brightness setting. IP54 rating for weather and dust resistance.

#SCNLGHT-KIT includes:

- LED Rechargeable Scene Light
- 1 - Battery DCB606
- 1 - Charger



60V Brushless Chainsaw Kit

The chainsaw is a versatile tool in the fire service with many different applications including forcible entry, roof ventilation, rescue operations, clearing fire lines and clearing roadways of fallen trees and debris. The 60V brushless chainsaw features a chain brake for kick back protection and provides up to 70 cuts per charge on a 6 in. x 6 in. pressure treated pine wood with the included 60V Max 3Ah battery. #CHNSAW-KIT includes:

- 60V Brushless Chainsaw
- 1 - Battery DCB609
- 1 - Charger



60V Handheld Blower Kit

Designed to withstand everyday heavy-duty usage this FlexVolt powered blower is ideal for debris cleanup from MVA scenes and creating firebreaks. Powers through debris at up to 423 CFM of air volume at 129 MPH. Flat concentrator nozzle increases air speeds to 175 MPH. It features a variable speed trigger and speed lock for total power control, and its lightweight and ergonomic design maximizes control and minimizes fatigue. #BLOWER-KIT includes:

- 60V Handheld Blower
- 1 - Battery DCB609
- 1 - Charger



“The vehicle had hit a guard rail, cleared a creek and landed on its top, entrapping both occupants. We cribbed around the vehicle and were using rescue jacks to help with lifting, but we still didn’t have a large enough opening to get the patients out the window. We even attempted to use air bags, but were unsuccessful due to the terrain.

On December 29, 2018, the Stuart FD was called to a single vehicle accident.

That’s when then we decided to use our AMKUS spreaders with extended reach tips (ERT’s) to lift in the cowl area of the engine compartment. Our AMKUS tool helped us to quickly create an additional 18” of opening to safely remove the patients to the backboards. One patient was air lifted and the other patient transported by ground. If it wasn’t for the ERTs on the AMKUS spreader this extrication may have taken them two hours instead of 20 minutes!”

— Mike Renslow
Chief, Stuart FD



Stuart Fire Department – AMKUS Star Award Recipient

ion^{2.0}
Spreader with Extended
Reach Tips (ERT)



NFPA 1936
COMPLIANT



THE BALANCE OF POWER

HYDRAULIC TOOLS

AMKUS hydraulic tools are long recognized as leaders in power and rugged tool durability. Their design begins with an extraordinarily balanced tool that provides operator comfort and safety. Tools also include time tested compact blades that deliver maximum cutting force.



A CUT ABOVE

- Cutter blades are designed to access tight places and make difficult cuts
- Tools are ready to handle the toughest materials, like ultra-high strength and Boron steel used in today's vehicles



INNOVATIVE CONSTRUCTION

- Compact blades allow cutters to access smaller spaces and allow cuts to be made at the back of the blades for maximum cutting force
- Hydraulic hoses are positioned 90 degrees from the manifold yielding an overall shorter tool and hoses that are less vulnerable to damage.



EXTEND LONGER

- Rams are available in lengths of 20, 30, 40 and 60 inches

▲ HYDRAULIC CUTTERS

AMK-22 CUTTER NFPA 1936 and EN13204 Compliant

- 360 degree rotating handle with eight lockable positions allows rescuer to place the handle in the best position for the desired cutting action
- Optional lighted handle adds 2 powerful LEDs that help illuminate the working area
- Control valve placement provides compact design, allowing greater access for the user
- Tool design provides excellent balance and natural hand placement
- Powerful enough to cut Boron and other ultra-high strength steels
- Anodized for corrosion protection
- Shown with optional lighted handle

Length	24.7 inches (627.4 mm)
Width	7.5 inches (190.5 mm)
Depth	8.9 inches (226.1 mm)
Weight (ready-to-use)	46.0 lbs (20.9 kg)
Max cutter opening at tips	5.0 inches (127.0 mm)
Cutter Opening Time	5 seconds
Cutter Closing Time	6 seconds
Maximum Cutting Force (at top of body)	200,807 lbs (893.2 kN)
Rated Input Pressure	10,500 psi (724 bar)



AMK-21A CUTTER

 NFPA 1936 and EN13204 Compliant

- 360 degree rotating handle allows rescuer to place the handle in the best position for the desired cutting action
- Optional lighted handle adds 2 powerful LEDs that help illuminate the working area
- Control valve placement provides compact design, allowing greater access for the user
- Tool design provides excellent balance and natural hand placement
- Powerful enough to cut Boron and other ultra-high strength steels
- Anodized for corrosion protection
- Shown with optional lighted handle

Length	25.8 inches (655 mm)
Width	9.0 inches (229 mm)
Depth	8.0 inches (203 mm)
Weight (ready-to-use)	35.0 lbs (15.9 kg)
Max cutter opening at tips	5.2 inches (132 mm)
Cutter Opening Time	4 seconds
Cutter Closing Time	4 seconds
Maximum Cutting Force	110,000 lbs (489.3 kN)
Rated Input Pressure	10,500 psi (724 bar)



AMK-25 HEAVY DUTY CUTTER

- Extremely compact and versatile with plenty of cutting power
- Proven design - thousands in use worldwide
- Anodized for corrosion protection
- Available with D-ring handle
- Available with standard or mono coupling

Length	20.5 inches (521 mm)
Width	9.0 inches (229 mm)
Depth	7.6 inches (193 mm)
Weight (ready-to-use)	30.1 lbs (13.7 kg)
Max cutter opening at tips	4.1 inches (104 mm)
Max Cutter Opening at Center	5.0 inches (127mm)
Max Cutting Force	60,000 lbs. (266.9 kN)
Rated Input Pressure	10,500 psi (724 bar)



AMK-25E SPEEDWAY CUTTER

- Long blade and wide opening covers the need for continuous cutting such as: "B" & "C" posts, third doors and roofs
- Designed for racing but lends itself to everyday vehicle rescue
- Available with D-ring handle
- Available with standard or mono coupling

Length	23.5 inches (597 mm)
Width	9.0 inches (229 mm)
Depth	7.6 inches (193 mm)
Weight (ready-to-use)	34.0 lbs (15.4 kg)
Max cutter opening at tips	7.0 inches (178 mm)
Max Cutter Opening at Center	8.0 inches (203mm)
Max Cutting Force	60,000 lbs (266.9 kN)
Rated Input Pressure	10,500 psi (724 bar)



Control Valve Grip KV0005-KIT

- Made from one piece billet aluminum, black hardcoat anodized and laser engraved with the AMKUS logo
- The new shape enhances grip and precise tool control, even with a gloved hand
- Quick and easy conversion of your old control valve



Super Swivel KHC022

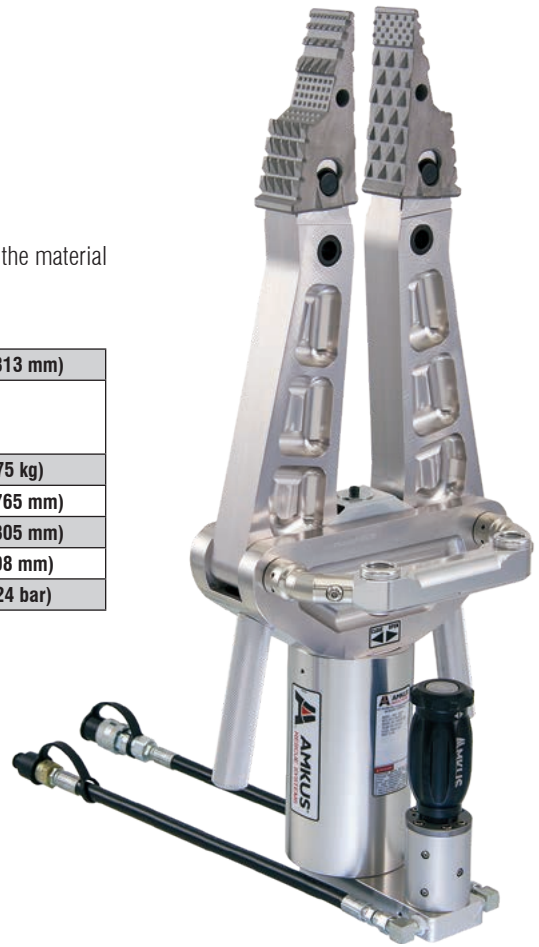
- Allows the hose to be positioned or moved to prevent accidental crushing
- Hose connection can be positioned for vertical mounting when using mono couplings
- Complete maneuverability of hose and use of full length of tool connection hose

▲ HYDRAULIC SPREADERS

AMK-30CRT SPREADER

- Unique design allows maximum usable force
- Tips remain parallel to the cylinder throughout the spread, allowing them to stay in contact with the material continuously for maximum spread (reduces risk of piercing with the tips)
- Push button pins for easy removal of tips (eliminates possibility of losing pins in the field)
- Removable tips accept chain package and optional tips for versatility
- Available with standard or mono coupling
- Equipped with our aggressive Gator Tips
- Shown with optional lighted handle

Max Spreader Opening	32.0 inches (813 mm)
Max Spreader Force (measured at 30.2 in. (767mm) spreader tip opening)	17,775 lbs (79.1 kN)
Weight (ready-to-use):	48.0 lbs (21.75 kg)
Length	30.1 inches (765 mm)
Width	12.0 inches (305 mm)
Height	8.2 inches (208 mm)
Rated Input Pressure	10,500 psi (724 bar)



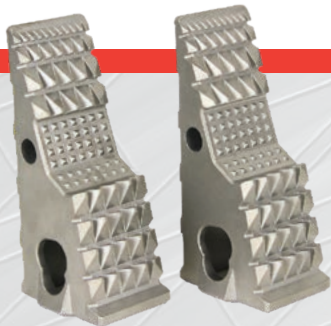
AMK-24 SPREADER

SEI NFPA 1936 and EN13204 Compliant

- Unique design allows maximum usable force
- Tips remain parallel to the cylinder throughout the spread allowing them to stay in contact with the material continuously for maximum spread (reduces risk of piercing with the tips)
- Removable tips accept chain package and optional tips for versatility
- Push button pins for easy removal of tips (eliminates possibility of losing pins in the field)
- Control valve placement provides compact design allows greater access for the user
- Excellent balance and natural hand placement
- Anodized for corrosion protection
- Shown with standard Gator Tips



Max Spreader Opening	24.0 inches (610 mm)
Max Spreader Travel Distance	23.9 inches (607 mm)
Weight (ready-to-use)	37.35 lbs (17.0 kg)
Length	29.7 inches (754 mm)
Width	14.0 inches (356 mm)
Depth	8.0 inches (203 mm)
Highest Spreading Force (NFPA 1936, HSF)	10,100 lbs (44.8 kN)
Lowest Spreading Force (NFPA 1936, LSF)	9,145 lbs (40.6 kN)
Highest Pulling Force (NFPA 1936, HPF)	6,218 lbs (27.6 kN)
Lowest Pulling Force (NFPA 1936, LPF)	5,450 lbs (24.2 kN)
Maximum Spreading Force (at back of tips)	18,785 lbs (83.5 kN)
Rated Input Pressure	10,500 psi (724 bar)
Spreader Opening Time	4 seconds
Spreader Closing Time	4 seconds



Gator Tips™ KS0017G-KIT (set of tips)

- Aggressive tooth pattern won't slip and beveled edges don't rip sheet metal
- Wide shoulder scoop-out cradles the load and opposing teeth grip with arms wide open
- Standard on ION spreaders, AMK-30CRT and AMK-24 spreaders

Quick Adjust Chain Package

Quick release push button tips with hook. Includes 2 seven foot chains. For use with AMK-24 and AMK-30CRT Spreaders

Other packages available



Standard Chain Package

Includes 2 seven foot chains with u-Bolt and hook. For use with iS240, iS280, AMK-30CX, AMK-28 Spreaders and Rams

▲ HYDRAULIC COMBI TOOL

AMK-25C COMBI TOOL

- Combination cutting/spreading/pulling tool
- Extremely lightweight, compact size for easy storage
- Ideal for “first response” applications
- Anodized for corrosion protection
- Check valve design maintains load
- Available with D-ring handle
- Available with standard or mono coupling

Length	25.0 inches (635 mm)
Width	8.0 inches (203 mm)
Height	7.5 inches (190 mm)
Weight (ready-to-use)	36.0 lbs (16.4 kg)
Max Cutting Edge Opening	7.0 inches (178 mm)
Max Cutting Force	57,000 lbs (253.5 kN)
Max Spreading Distance	15.5 inches (394 mm)
Max Spreading Force at Tips	9,900 lbs (44.0 kN)
Rated Input Pressure	10,500 psi (724 bar)



AMK-C15 COMBI TOOL

- Combination cutting/spreading/pulling tool
- Well balanced and easy to use
- Check valve design maintains load
- Anodized for corrosion protection
- Equipped with D-ring handle
- Available with standard or mono coupling

Length	26.5 inches (673 mm)
Width	10.0 inches (254 mm)
Height	9.0 inches (229 mm)
Weight (ready-to-use)	43.0 lbs (19.5 kg)
Max Cutting Edge Opening	7.0 inches (178 mm)
Max Cutting Force	57,000 lbs (253.5 kN)
Max Spreading Distance	15.5 inches (394 mm)
Max Spreading Force at Tips	13,100 lbs (58.3 kN)
Rated Input Pressure	10,500 psi (724 bar)



▲ HYDRAULIC RAMS

AMK-100R LIFT JACK

- Single-stage lifting jack
- Enormous lifting force in a compact package
- Remote actuating valve allows operation from a safe distance
- Supplied with 1”, 2” and 3” shim plates for longer stroke applications

Max Pushing Force	100,000 lbs (445 kN)
Length Open	16 inches (406 mm)
Length Closed	10 inches (254 mm)
Total Weight	61 lbs (27.7 kg)
- Jack assembly	20 lbs (9 kg)
- Remote Valve Assembly	10 lbs (4.5 kg)
- Shim Plates	23 lbs (10.4 kg)
- 10' Extension Hose	8 lbs (3.6 kg)



Mono Coupler KHC013-KIT male KHC014-KIT female

- Hot swappable coupler allows connecting and disconnecting of tools while the line is under flow (in most cases it's not necessary to place the directional control of the power unit in the neutral position)
- Convert standard AMKUS twin line hoses into a single connection or retrofit existing AMKUS rescue tools when ordered with additional adapter



▲ HYDRAULIC RAMS

PUSH/PULL RAMS

- Unique base design distributes load
- Check valve design maintains load
- Accessories available for increased capabilities
- Push/Pull design allows use of standard AMKUS chain packages
- Anodized for corrosion protection
- Available with standard or mono coupling



AMK-20R



AMK-30R



AMK-40R



AMK-60R

ALL PUSH/PULL RAMS

Max Push Force	30,650 lbs (136.3 kN)
Max Pull Force	14,400 lbs (64.1 kN)
Rated Input Pressure	10,500 psi (724 bar)

AMK-20R RAM

Length Open	21.0 inches (533 mm)
Length Closed	15.4 inches (391 mm)
Width Overall	12.8 inches (325 mm)
Height	10.0 inches (254 mm)
Weight (ready-to-use)	22.5 lbs (10.2 kg)

AMK-40R RAM

Length Open	40.0 inches (1,016 mm)
Length Closed	25.4 inches (645 mm)
Width Overall	8.5 inches (216 mm)
Height	5.0 inches (127 mm)
Weight (ready-to-use)	33.0 lbs (15.0 kg)

AMK-30R RAM

Length Open	29.1 inches (739 mm)
Length Closed	19.3 inches (490 mm)
Width Overall	8.5 inches (216 mm)
Height	5.0 inches (127 mm)
Weight (ready-to-use)	27.0 lbs (12.2 kg)

AMK-60R RAM

Length Open	60.3 inches (1,532 mm)
Length Closed	35.5 inches (902 mm)
Width Overall	8.5 inches (216 mm)
Height	5.0 inches (127 mm)
Weight (ready-to-use)	43.5 lbs. (19.7 kg)



Ram Accessory Kit K-RAMACC

- Includes ten inch extension and two accessory heads

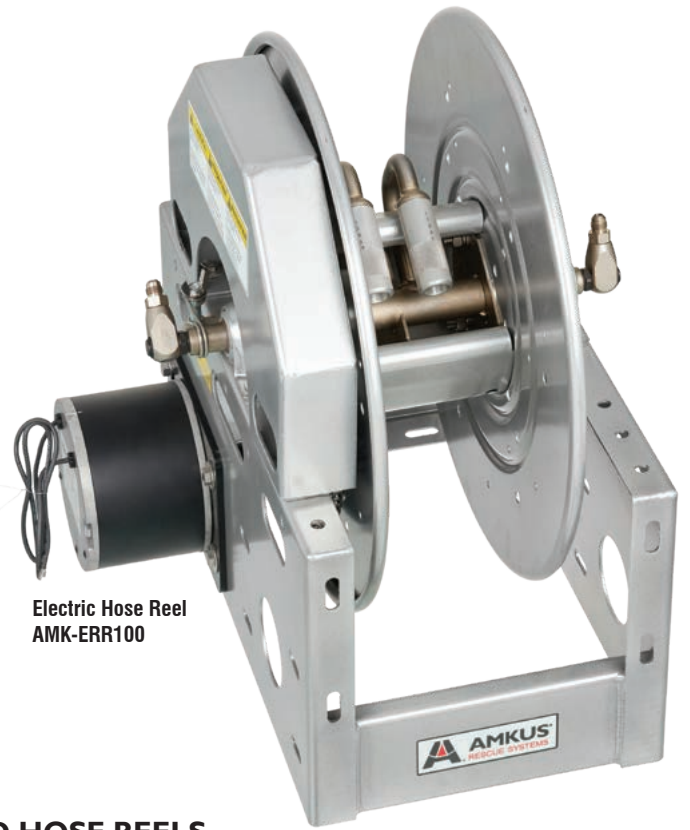


Color Mono Coupler Sleeves

KHC007YL-KIT (yellow), KHC007GN-KIT (green), KHC007RD-KIT (red), KHC007BL-KIT (blue), KHC007GR-KIT (gray), KHC007-KIT (black)

- These colored sleeves can be used in identifying hydraulic lines or specific tools – aiding reaction times at deployment and standardizing departmental procedures

REELS AND HOSE



ELECTRIC REWIND HOSE REELS

- Electric motors can be mounted in a wide variety of positions, saving valuable compartment space
- Reels include rugged aluminum collars on crimps, preventing bending and collapse which make it unnecessary to pull entire lengths of hose
- Available in 50, 100, 125, 150 or 200 foot lengths of hose
- All inside drums are reinforced
- Also available in manual version

AMK-ERR100BM

Depth	17.7 inches (450 mm)
Width	17.3 inches (440 mm)
Height	20.1 inches (512 mm)
Weight	Varies By Application

AMK-ERR100

Depth	21.0 inches (533 mm)
Width	19.0 inches (483 mm)
Height	21.6 inches (549 mm)
Weight	Varies By Application

Dimensions are larger for reels longer than 100 feet.

HOSE

- TOUGHJACKET™ hose is reinforced with high tensile steel wire braid and its polyurethane cover resists abrasions and tears
- Extension, pump, reel, pump to reel hoses all available in all lengths
- Available with standard or mono couplings
- Will not kink or crimp



Extension Hose Blue with Mono Couplings Both Ends



Extension Hose Black with Standard Couplings Both Ends



Extension Hose Red with Mono Couplings Both Ends



Extension Hose Yellow with Standard Couplings Both Ends

POWER UNITS

GH2B-MCH MINI-SIMO™

NFPA 1936 Compliant

- Gasoline powered Honda® engine
- Two tool simultaneous operation
- “BOOST” mode, when in alternate tool operation, increases tool response in both pump stages
- Increased first stage pressure reduces cycle times
- Newly designed 3-position control valves
- Direct mounted standard couplings or single connection mono couplings
- Modular design reduces time required or service



UL
CERTIFIED
SAFETY
SM44669
Certified Compliant to
NFPA 1936, 2015 Edition

GH2B-MCH

Length (with couplings)	17.75 inches (451 mm)
Length (without couplings)	15.50 inches (394 mm)
Width	12.50 inches (318 mm)
Height	18.50 inches (470 mm)
<i>All weights include gas, engine oil, and hydraulic fluid</i>	
Weight (with Standard Couplings)	58.77 lbs (26.66 kg)
Weight (with female Mono Couplings)	58.60 lbs (26.58 kg)
Weight (without couplings)	55.40 lbs (25.13 kg)
Fluid Type	AMKUS MV-1 Mineral Base Hydraulic Fluid
<i>For equipment stored and operated in environments below freezing use AMKUS MV-0 Mineral Base Hydraulic Fluid</i>	

Rated Output Pressure	10,500 psi (724 bar)
Hydraulic Fluid Reservoir Capacity	0.6 gals. US (2.27 liters)
Delivery of pump, stage 1	0.584 gpm per port x 2 (2212 cc/min)
Delivery of pump, stage 2	0.151 gpm per port x 2 (574 cc/min)
<i>BOOST Mode: Single tool operation only</i>	
Delivery of pump, stage 1	1.168 gpm (4424 cc/min)
Delivery of pump, stage 2	0.32 gpm (1148 cc/min)



GB2S-XL

GB2S-XL0 POWER UNIT

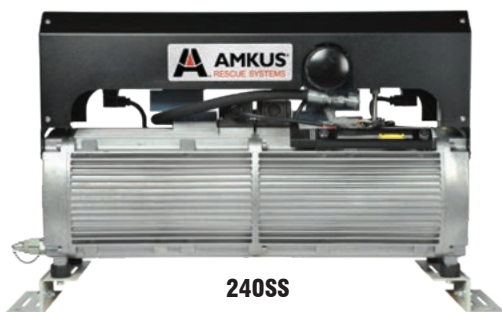
SEI NFPA 1936 and EN13204 Compliant

- Gasoline powered Briggs & Stratton® overhead valve 4 cycle engine
- Two high pressure, two-stage pumping systems
- Two 2-way, 2-position selector valves
- Two tools can be connected and operated simultaneously
- Roll cage for protection and hose storage

Length	23.0 inches (584 mm)
Width	16.0 inches (483 mm)
Width (with one hose loop standard)	19.0 inches (437 mm)
Height	20.5 inches (521 mm)
Weight (ready-to-use)	109.6 lbs (50 kg)
<i>Includes gas, engine oil, hydraulic fluid and couplings.</i>	
Fluid Type	AMKUS MV-1 Mineral Base Hydraulic Fluid
Rated Output Pressure	10,500 psi (724 bar)
Hydraulic Fluid Reservoir Capacity	2.0 gals US (7.6 liters)
Delivery of pump, stage 1	1.20 gpm per port x 2 (4,542 cc/min)
Delivery of pump, stage 2	0.25 gpm per port x 2 (946 cc/min)

240SS SUPER SIMO™ On-Board Power Unit

- Requires only 5 amps to startup with virtually no inrush. (Compare to 60 amps inrush on typical simultaneous power units)
- The design of the 240SS reduces the need for accessibility to the pump unit, providing versatility when determining a location for the unit in your apparatus
- Easy and cost effective installation
- Retrofits on existing apparatus are a practical option
- Electric Power Unit, 240 volt single phase power
- Two tools can be connected and operated simultaneously
- Power Sharing Mode is an available feature which allows a 2 tool system to be used on a 10KW generator by temporarily focusing all the power on a single tool when both tools are operating near maximum pressure.
- Can be used with hose lengths up to 200'
- DC fan-cooled hydraulic heat exchanger
- Complete on-board circuit panel for: individual motor and circuit activation, LED circuit status display, LCD display for operational diagnostics, integrated low oil warning and low oil shut down
- Optional wireless remote control with emergency shut down



240SS

Motor Control Unit	
Weight	33.75 lbs (15.3 kg)
Dimensions	12H x 20W x 8D inches
Control Console	
Weight	7 lbs (3.1 kg)
Dimensions	8.37H x 8.37W x 9D inches
Heat Exchanger	
Weight	
Dimensions (with Port Blocks)	16.75H x 15W x 7D inches

Max Operating Pressure	10,500 psi (724 bar)
Max Electrical Draw (when both circuits at maximum operating pressure)	13,500 watts
Delivery of Pump, stage 1	1.0 gpm per port x 2 (3785 cc/min)
Delivery of Pump, stage 2	0.68 gpm per port x 2 (2574 cc/min)
Step Down Pressure	6,500 psi (448 bar)
Relief Pressure Setting	10,500 psi (724 bar)
Capacity of Oil Reservoir	7.0 gals. US (operational) (26.4 liters)
Power Unit	
Weight	177 lbs dry (80.2 kg) 217 lbs wet (98.4 kg)
Dimensions Vertical Mounted	33H x 10.25W x 21D inches
Dimensions Horizontal Mounted	21H x 10.25W x 33L inches

▲ POWER UNITS



GH2A-MC

GH2A-MC MINI POWER UNIT

SEI NFPA 1936 and EN13204 Compliant

- Gasoline powered 4-cycle Honda® engine
- Easy to fill with large fill port on reservoir
- Includes spark arresting muffler
- Two tools can be connected simultaneously
- High pressure, two-stage pumping system
- Alternate tool operation
- Roll cage for protection
- Easy access drain port to drain hydraulic fluid from pump

Length	19.0 inches (482 mm)
Width	17.0 inches (432 mm)
Height	17.8 inches (452 mm)
Weight (ready-to-use)	68.0 lbs (30.8 kg)
<i>Includes gas, engine oil, hydraulic fluid and couplings.</i>	
Fluid Type	AMKUS MV-1 Mineral Base Hydraulic Fluid
Rated Output Pressure	10,500 psi (724 bar)
Hydraulic Fluid Reservoir Capacity	0.68 gals US (2.57 liters)
Usable Hydraulic Fluid Capacity	0.66 gals US (2.50 liters)
Delivery of pump, stage 1	0.8 gpm (3,028 cc/min)
Delivery of pump, stage 2	0.14 gpm (530 cc/min)



GH2S2-XL

GH2S2-XL POWER UNIT

SEI NFPA 1936 and EN13204 Compliant

- Gasoline powered 4-cycle Honda® engine
- Two high pressure, 2-stage pumping systems
- Roll cage for protection and hose storage
- Two tools can be connected and operated simultaneously
- Two 2-way, 2-position selector valves
- High pressure, two-stage pumping system

Length	23.0 inches (584 mm)
Width	16.0 inches (407 mm)
Width (with one hose loop standard)	19.0 inches (483 mm)
Height	20.5 inches (521 mm)
Weight (ready-to-use)	114.0 lbs (51.7 kg)
<i>Includes gas, engine oil, hydraulic fluid and couplings.</i>	
Fluid Type	AMKUS MV-1 Mineral Base Hydraulic Fluid
Rated Output Pressure	10,500 psi (724 bar)
Hydraulic Fluid Reservoir Capacity	2.0 gals US (7.6 liters)
Delivery of pump, stage 1	1.20 gpm (4,542 cc/min)
Delivery of pump, stage 2	0.25 gpm (946 cc/min)



EF2S

EF2S or EF2S-XL POWER UNIT

(EF2S-XL roll cage unit not pictured)

SEI NFPA 1936 Compliant

- Electric powered, 3.0 horsepower, “washdown” motor
- 220/240 Volt single phase
- Two high pressure, two-stage pumping systems
- Two 2-Way, 2-position selector valves
- Two tools can be connected and operated simultaneously

EF2S	
Length	17.6 inches (447 mm)
Width	12.1 inches (307 mm)
Height	20.0 inches (508 mm)
Weight (ready-to-use)	106.4 lbs (48.0 kg)
<i>Includes hydraulic fluid and couplings.</i>	
Fluid Type	AMKUS MV-1 Mineral Base Hydraulic Fluid
Rated Output Pressure	10,500 psi (724 bar)
Hydraulic Fluid Reservoir Capacity	2.0 gals US (7.6 liters)
Delivery of pump, stage 1	1.20 gpm (4,542 cc/min)
Delivery of pump, stage 2	0.25 gpm (946 cc/min)

HP101-STD BACK UP HAND PUMP



Foot pump handle available

Length	27 inches (686 mm)
Width	10.5 inches (267 mm)
Height	8 inches (203 mm)
Weight (ready-to-use)	32.0 lbs (14.5 kg)
Rated Output Pressure	10,500 psi (724 bar)
Hydraulic Fluid Reservoir Capacity	0.66 gals US (2.5 liters)
Usable Hydraulic Fluid Capacity	0.6 gals US (2.3 liters)

HH2S POWER UNIT

(not pictured)

- Hydraulic motor driven
- Two high pressure, 2-stage pumping systems
- Two tools can be connected and operated simultaneously
- Two 2-way, 2-position selector valves

Length	14.5 inches (369 mm)
Width	12.8 inches (326 mm)
Height	17.2 inches (437 mm)
Weight (ready-to-use)	86.0 lbs (39 kg)
<i>Includes anti-vibration feet and hydraulic fluid.</i>	
Fluid Type	AMKUS MV-1 Mineral Base Hydraulic Fluid
<i>For equipment stored and operated in environments below freezing use AMKUS MV-0 Mineral Base Hydraulic Fluid</i>	
Rated Output Pressure	10,500 psi (724 bar)
Hydraulic Fluid Reservoir Capacity	2.0 gals US (7.6 liters)
Delivery of pump, stage 1	1.20 gpm per port x 2 (4,542 cc/min)
Delivery of pump, stage 2	0.25 gpm per port x 2 (946 cc/min)

RAPID RESPONSE

RESCUE STRUT SYSTEM

AMKUS now offers a complete RescueStrut telescoping and hydraulic system that's easy to deploy and use for vehicle stabilization, structural collapse, trench rescue and forcible entry. The tools are fully assembled and include a single pin adjustment for rapid deployment.



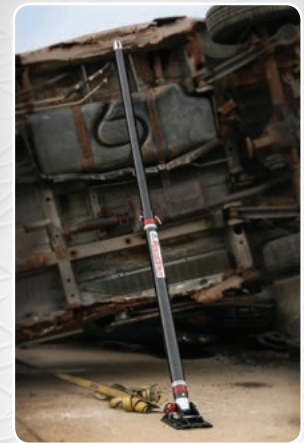
RESPOND FASTER

- Units are fully assembled and include a single pin adjustment for quick response
- The telescoping strut is available in multiple lengths with 10,000 lbs of holding capacity



MORE THAN VEHICLES

- RescueStrut systems provide for easy horizontal and vertical shoring



A SMARTER TOOL

- Don't get caught short... system telescopes to 110"
- Large anchor ring allows for multiple points for strap attachment



MULTI-FUNCTION CAPABILITY

- A wide variety of strut heads are available that work across the entire RescueStrut family
- Strut base include multiple attachment points for maximum flexibility

RESCUESTRUT

AMK-HLS16E HYDRAULIC STRUT

- 6,000 lb hydraulic lifting capacity at full extension
- Easy to adjust inner extension tubes
- Large and balanced carrying handle
- Large anchor attachment ring
- Multiple attachment options on foot plate
- Large assortment of accessories available

Lift Capacity	6,000 lbs (26.7 kN)
Stroke	15 or 12 inches (381 or 305 mm)
Weight	59 lbs (26.7 kg)
Min Height	61 inches (155 cm)
Max Height	100 inches (254 cm)
Min 2:1 Safety Factor	

Hydraulic Strut Handle Position

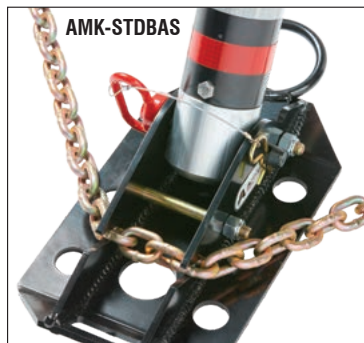


AMK-TAS45E TELESCOPING STRUT

- 10,000 lb holding capacity at full extension
- Simple single pin adjustability
- Fully assembled and ready to use
- Completely adaptable for vehicle stabilization, structure and trench support

Lengths Available	3 ft (.9 m)	4 ft (1.2 m)	5 ft (1.5 m)	6 ft (1.8 m)
Holding Capacity	10,000 lbs (44.5 kN)	10,000 lbs (44.5 kN)	10,000 lbs (44.5 kN)	10,000 lbs (44.5 kN)
Weight	20 lbs (9 kg)	24 lbs (10.9 kg)	27 lbs (12.2 kg)	30 lbs (13.6 kg)
Min Height	36 inches (914 mm)	48 inches (122 cm)	60 inches (152 cm)	72 inches (183 cm)
Max Height	48 inches (122 cm)	70 inches (178 cm)	84 inches (213 cm)	110 inches (279 cm)
Min 2:1 Safety Factor				

Telescoping Strut AMK-TAS45E



RescueStrut Foot Base

- Removable base with a large stable footprint
- Multiple attachment points, including chain slots and bull ring
- Accepts straps, chains, pickets, and stakes
- Chain not included



Unique Locking Pin

- One piece flip lock spring pin means you'll never fumble with cotter keys again



ARRSI ROPE RESCUE SYSTEM

- Sets up in under 2 minutes
- Reduces number of rescuers needed topside (2 people can do the work of approximately 8-10 used in traditional rope rescue)
 - Rope automatically aligns with the direction of the load
- Precise control allows a load to be raised and lowered a fraction of an inch at a time for critical precision lifting



RESCUESTRUT

PACKAGES

The RescueStrut system offers multiple options of system components packaged together to solve tactical and departmental needs

AMK-FSWA16 STANDARD PACKAGE:

- 2 - Hydraulic Lifting Struts
- 2 - Telescoping Adjustable Struts
- 4 - Tube Adapters
- 4 - Standard Heads
- 4 - Ratchet Straps
- 3 - 5/16 Grade 70 Attachment Chains
- 2 - Multi Hook Clusters
- 2 - 15 inch J-Hooks



Standard Universal
AMK-HSTDUP



Hydraulic
Ram/Jack
with Base
AMK-HRJ16R



Waffle Pattern
AMK-HWAFLE



Rocker Panel Support
AMK-RKRNL

AMK-HRJ16R RAM/JACK

- Hydraulic Ram/Jack with Base
- The shortest, most versatile lifting jack in the industry
- Allows application in confined spaces whether horizontal, vertical or angled
- Includes specially designed waffle head and rocker support panel

Lift Capacity	6,000 lbs (26.7 kN)
Weight	35 lbs (15.9 kg)
Length Closed	31.5 inches (800 mm)
Length Extended	46.5 inches (118 cm)



Ratchet Strap AMK-RCHTST



5/16 Chain AMK-C70516



Multi Hook AMK-CLUSTR



J-Hook AMK-JHOOKC



Adapter AMK-UTADPT

Ram/Jack Conversion Kit

- Converts hydraulic strut into Ram/Jack



Waffle Pattern
AMK-HWAFLE

Ram/Jack
AMK-RJCK16



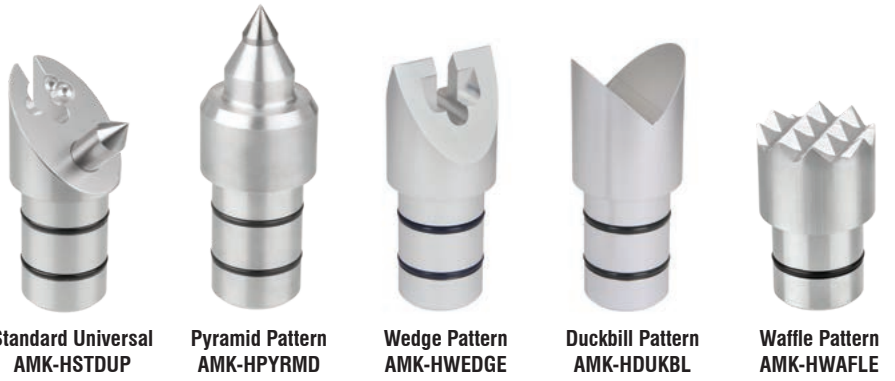
Rocker Panel Support
AMK-RKRPNL



RESCUESTRUT

STRUT HEADS

All heads are interchangeable throughout the system and are made of hardened aluminum. Individual heads are engineered for specific uses like soft woods, chain supports or cradling. Large surface areas and angle correct designs deliver maximum contact, safety and performance



Standard Universal
AMK-HSTDUP

Pyramid Pattern
AMK-HPYRMD

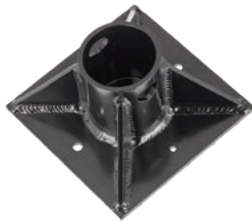
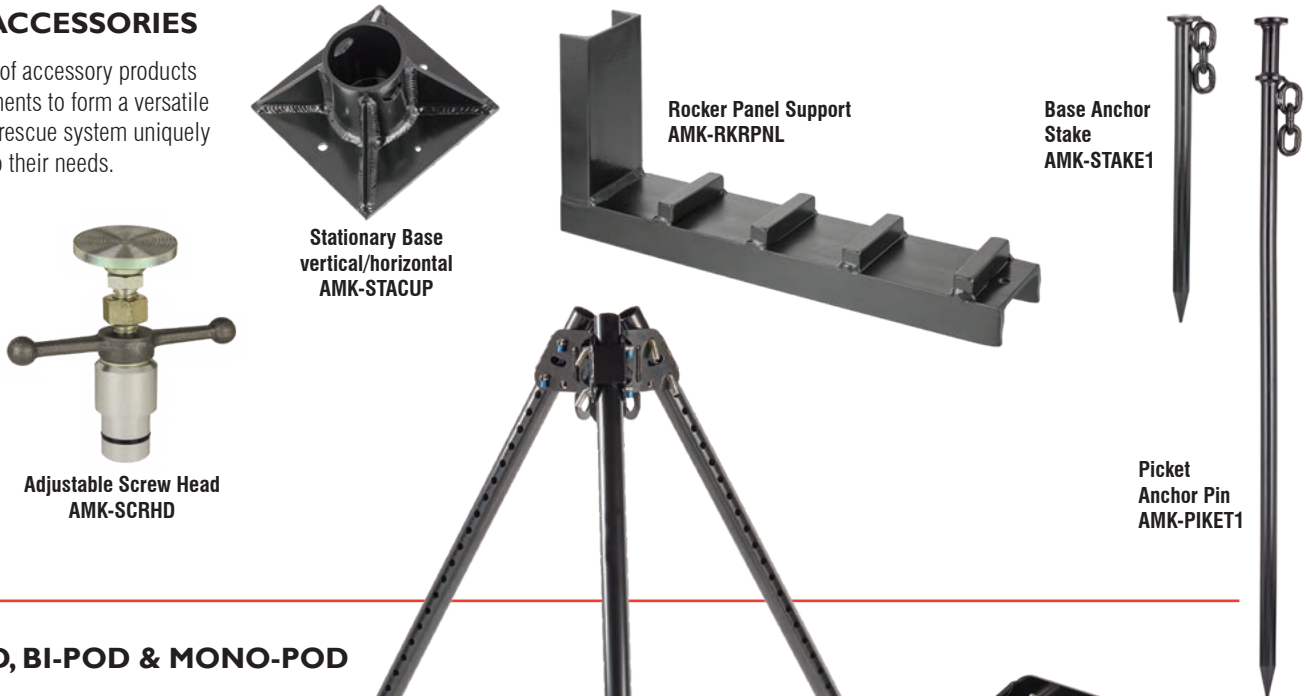
Wedge Pattern
AMK-HWEDGE

Duckbill Pattern
AMK-HDUKBL

Waffle Pattern
AMK-HWAFLE

STRUT ACCESSORIES

A wide range of accessory products allow departments to form a versatile and dynamic rescue system uniquely customized to their needs.



Stationary Base
vertical/horizontal
AMK-STACUP



Rocker Panel Support
AMK-RKRPNL



Base Anchor
Stake
AMK-STAKE1



Adjustable Screw Head
AMK-SCRHD



Picket
Anchor Pin
AMK-PIKET1

TRI-POD, BI-POD & MONO-POD

The RescueStrut Tri-Pod Kit includes 3 Telescoping Adjustable Struts, 1 Tri-Pod Adapter and 2 - 5/16 Attachment Chains. Bi-Pod and Mono-Pod adapter and receiver kits are also available



Tri-Pod Adapter
AMK-TPODAD

Tri-Pod Full Assembly
with TAS45E
AMK-TRPDFK

Bi-Pod Adapter
AMK-BPODAD

Mono-Pod Adapter
and Receiver Kit
AMK-MPODAD



AMKUS AND MOTORSPORTS – A WINNING PARTNERSHIP



RESCUE SYSTEM SUPPLIER



OFFICIAL RESCUE TOOL



In 1984 AMKUS conducted a demonstration of its extrication equipment for NASCAR and Daytona International Speedway staff in Daytona Beach at a hotel parking lot not far from the beach. AMKUS supplied rescue tools that year to the Daytona International Speedway and NASCAR ... and a winning partnership was born. Today, Track Services Safety Teams carry a minimum of one AMKUS Rescue System tool at every NASCAR-sanctioned event.

In the 1990's AMKUS expanded its involvement in motorsports to supply all ISC (International Speedway Corp.) tracks with Rescue Systems. Many additional tracks from SMI (Speedway Motorsports Inc.) were also added such as Charlotte Motor Speedway, Texas Motor Speedway, Las Vegas Motor Speedway, New Hampshire Motor Speedway and Infineon.

In 2014 the AMKUS racing family expanded again, adding the NHRA (National Hot Rod Association) and GRC (Global Rally Cross).

We believe that our relationship with professional motorsports is the ultimate proving ground for AMKUS product innovation.



AMKUS.com • 1-800-592-6587 • E-mail experts@amkus.com • 4201 Montdale Drive • Valparaiso, IN 46383

AMKUS Rescue Systems reserves the right to make changes in design and specifications without notice.